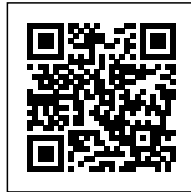




THE SEQUENTIAL ROOF: DIGITAL ASSEMBLY OF A COMPLEX STRUCTURE

Posted on April 15, 2019 by martabuges



Categories: [Designing Matter](#), [ETH Zürich](#), [Gramazio Kohler](#), [Middle Density](#), [Project](#), [Technology and fabrication](#)

Tags: [Architecture](#), [Data](#), [Design](#), [Design-based research](#), [Digital fabrication](#), [Digital technologies](#), [Geometry](#), [Project](#), [Research](#), [Robotics](#), [Structure](#), [Sustainable](#), [Switzerland](#), [Technology](#), [Timber Structure](#), [Zurich](#)

urbanNext Lexicon

The Sequential Roof: Digital Assembly of a Complex Structure
<https://urbannext.net/the-sequential-roof/>

The Arch_Tec_Lab of the Institute of Technology in Architecture (ITA) is covered by a novel timber roof structure, developed and planned at the Chair of Architecture and Digital Fabrication.



ISSN : 2575-5374

urbanNext Lexicon

The Sequential Roof: Digital Assembly of a Complex Structure
<https://urbannext.net/the-sequential-roof/>



The structure consists of 168 single trusses, which are woven into a 2,308 square meter free-form roof design. As such, an integrated digital planning process connects design, structural analysis and the generation of fabrication data. Based on this data, a robot-based assembly process joining 48,624 timber slats to individually formed trussed beams allows an efficient fabrication of the complex roof geometry.

ISSN : 2575-5374

urbanNext Lexicon

The Sequential Roof: Digital Assembly of a Complex Structure

<https://urbannext.net/the-sequential-roof/>



ISSN : 2575-5374

urbanNext Lexicon

The Sequential Roof: Digital Assembly of a Complex Structure

<https://urbannext.net/the-sequential-roof/>



ISSN : 2575-5374

urbanNext Lexicon

The Sequential Roof: Digital Assembly of a Complex Structure

<https://urbannext.net/the-sequential-roof/>



The project demonstrates the potential of combining digital fabrication technology with timber as a local and sustainable building material. In collaboration with experts from academia and practice, the Chair's research results in the field of digital timber construction are being condensed and applied at full architectural scale.

ISSN : 2575-5374

urbanNext Lexicon

The Sequential Roof: Digital Assembly of a Complex Structure

<https://urbannext.net/the-sequential-roof/>

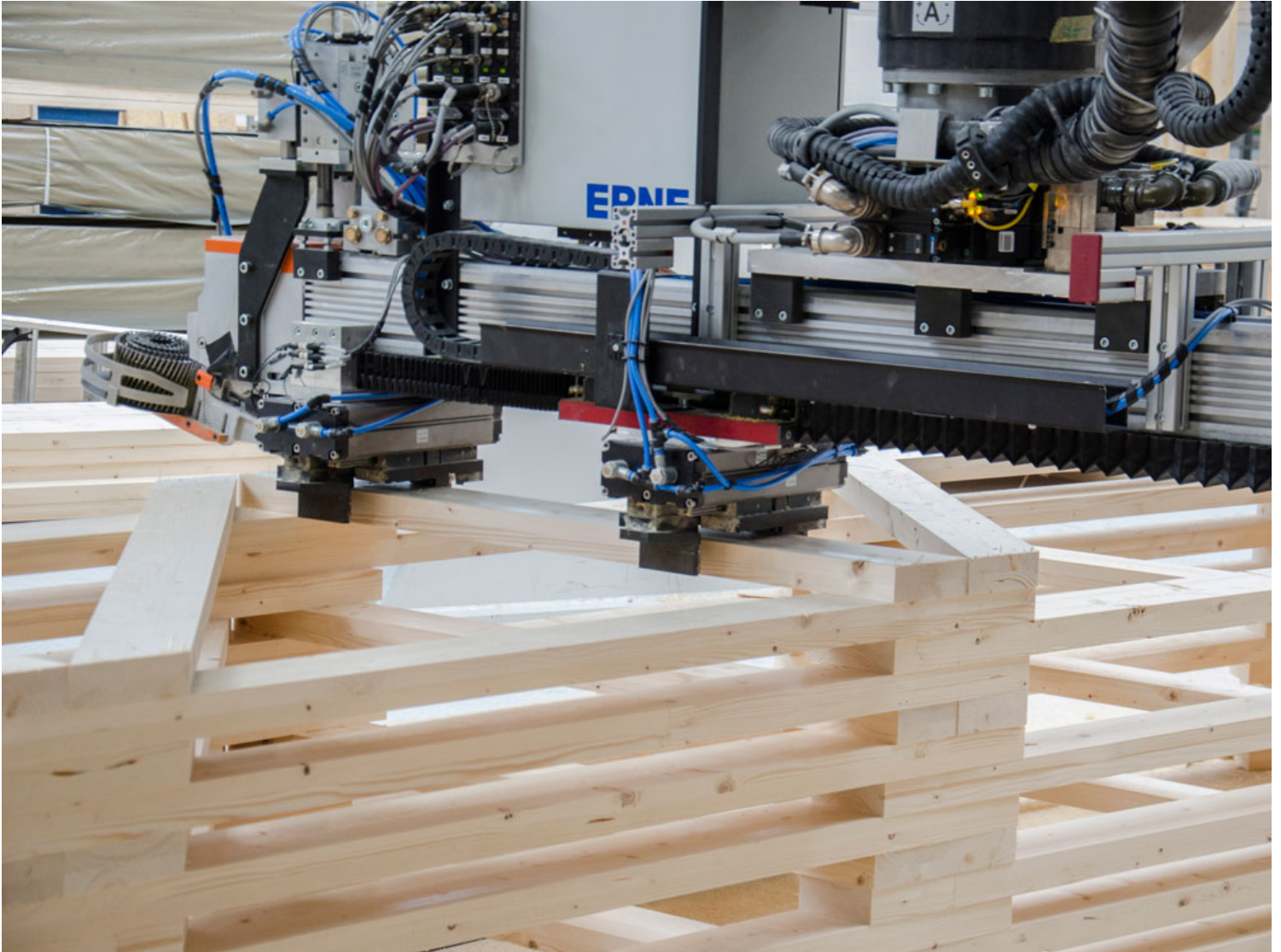


ISSN : 2575-5374

urbanNext Lexicon

The Sequential Roof: Digital Assembly of a Complex Structure

<https://urbannext.net/the-sequential-roof/>



ISSN : 2575-5374

urbanNext Lexicon

The Sequential Roof: Digital Assembly of a Complex Structure
<https://urbannext.net/the-sequential-roof/>



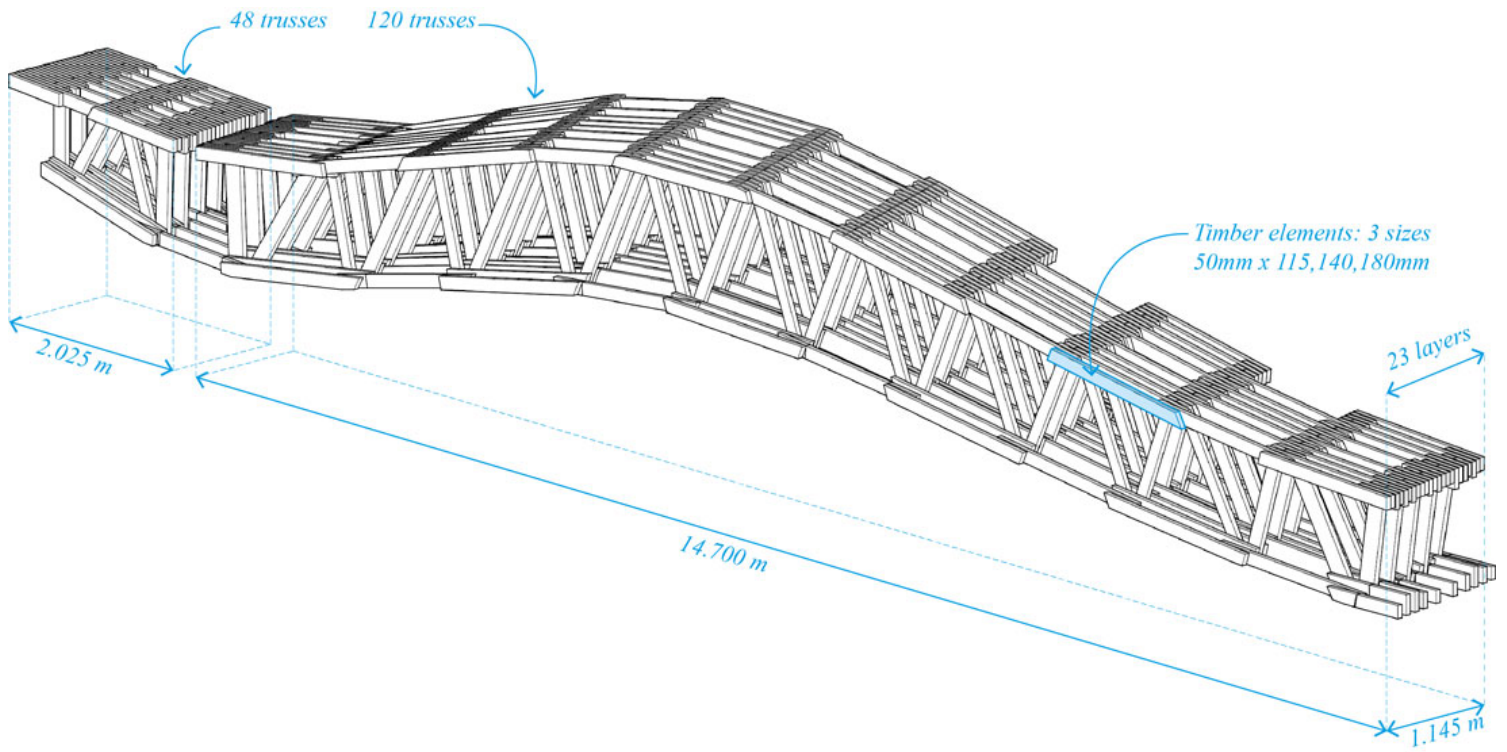
The Sequential Roof was planned by Arch-Tec-Lab AG and manufactured by ERNE AG Holzbau.

ISSN : 2575-5374

urbanNext Lexicon

The Sequential Roof: Digital Assembly of a Complex Structure

<https://urbannext.net/the-sequential-roof/>



ISSN : 2575-5374

urbanNext Lexicon

The Sequential Roof: Digital Assembly of a Complex Structure

<https://urbannext.net/the-sequential-roof/>

ISSN : 2575-5374